

PULSAFEEDER®

The MEC-O-MATIC Series Stingray is a positive displacement pump with adjustable feed rate. Stingrays Series spring-loaded check valves make it highly reliable. A long life even in highly corrosive applications from Stingrays PTFE coated diaphragm and Viton seats and a continuous duty motor with lifetime-lubricated, heavy-duty gearing makes Stingray rugged and heavy duty.

The MEC-O-MATIC Stingray SR 100 features exclusive MEC-O-MATIC Relief/Release head with cartridge valves to assist with priming and prevent tubing rupture or motor failure.

The MEC-O-MATIC Stingray SR 200 features ceramic ball check valves for high-pressure applications.

Features

- Feed rates from 8 gpd (1.26 lph) to 90 gpd (14.19 lph) and up to 100 psi (6.9 bar).
- Spring loaded check valves.
- Chemical resistant plastic casing.
- Corrosion resistant rubber and plastic solution handling components.

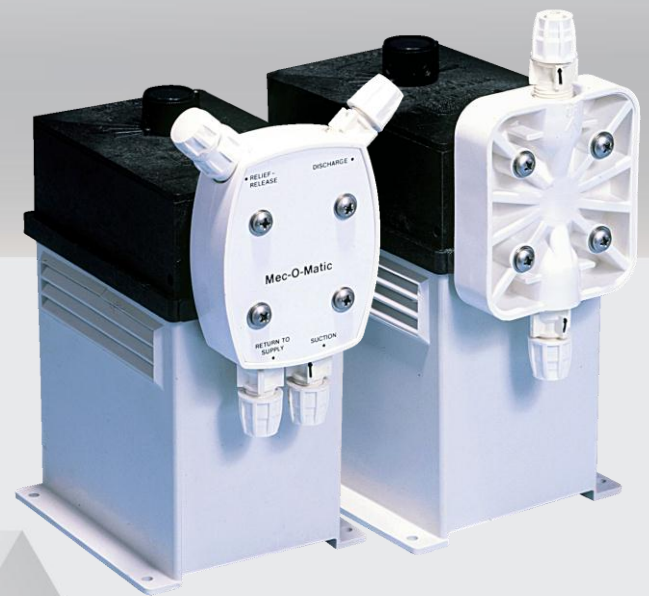
Controls



- Adjustable feed rate

Operating Benefits

- Patented relief/release valve (on 100 Series only).
- Heavy duty design allows for continuous operation.
- Complete systems, with solution tanks up to 200 gallon.
- Many accessory fittings and assemblies available.



Aftermarket

- KOPkits
- Gauges
- Dampeners
- Pressure Relief Valves
- Tanks
- Pre-Engineered Systems
- Process Controllers (MicroVision)



MEC-O-MATIC Stingray Series Diaphragm Metering Pumps

MEC-O-MATIC Stingray Series

Specifications and Model Selection

MODEL		SR 105/205	SR 110/210	SR 125/225	SR 150/250	SR 175/275
Feed Rate (max.)	GPD	8	12	30	60	90
	LPH	1.26	1.89	4.73	9.46	14.19
CC per Minute	60 Hz	20	32	78	158	236
Rev per Minute		5	10	25	50	75
Pressure (max.)	PSIG	100				60
	BAR	6.9				4.14
Connections	Tubing	.19" I.D. x .38" O.D.				

Engineering Data

Pump Head Materials Available:	PVC
Diaphragm:	PTFE-faced CSPE-backed
Valve Seats:	Viton
Ball Checks:	Ceramic
Fittings Materials Available:	PVC
Tubing:	Flexible Clear PVC White PE

Important: Material Code - PVC=Polyvinyl Chloride, PE=Polyethylene, CSPE=Generic formulation of Hypalon, a registered trademark of E.I. DuPont Company. Viton is a registered trademark of E.I. DuPont Company. PVC wetted end recommended for sodium hypochlorite.

Power Input: 115 VAC/60 HZ

Average Current Draw:

115 VAC; Amps:

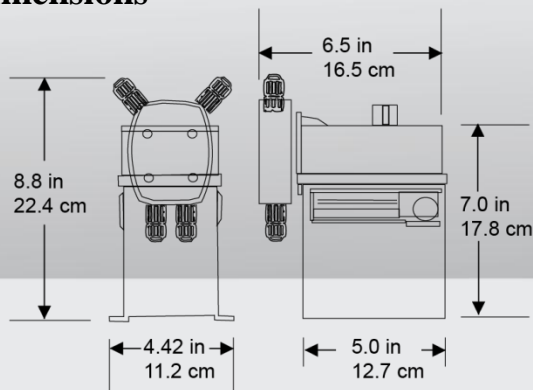
Model 105/110/205/210 .37 Amps

Model 125/225 1.33 Amps

Model 150/175/250/275 1.38 Amps

Shipping Weight: 8 lbs

Dimensions



Typical Installation



27101 Airport Road
Punta Gorda, FL 33982
Phone: ++1(941) 575-3800
Fax: ++1(941) 575-4085

www.pulsatron.com



An ISO 9001 Certified Company

MOM002 B15

